
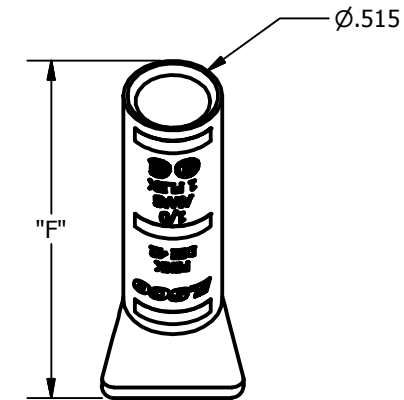
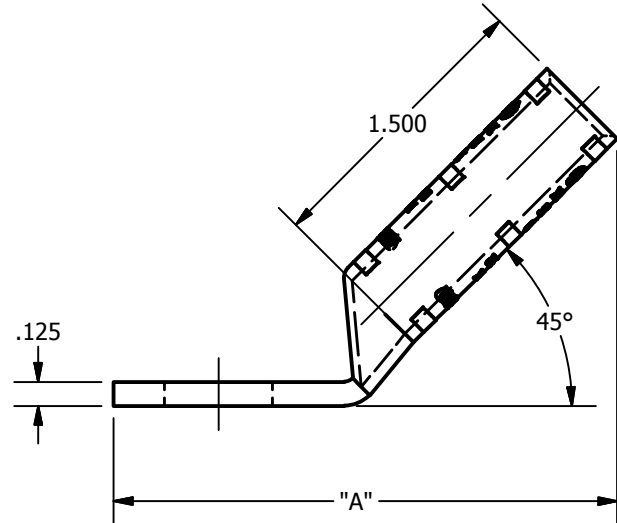
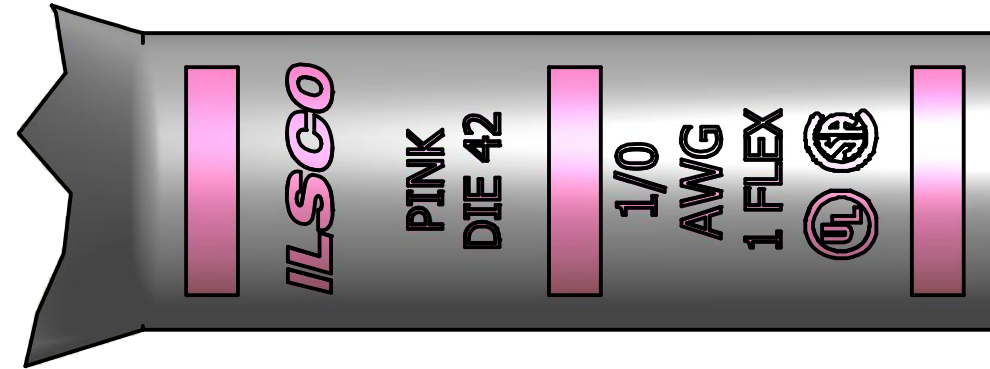
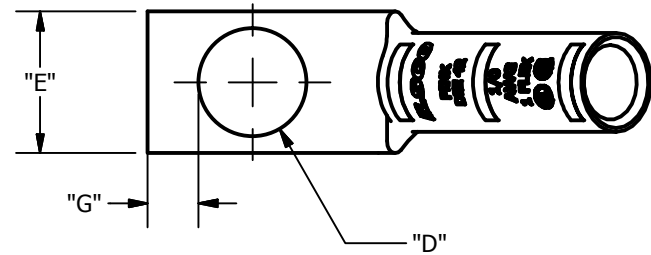


SCREW: NONE	MATERIAL: COPPER	REV: E	 800-776-9775 www.ilSCO.com
CAT. NO.: SEE CHART	PLATING: EL-TIN	DRAWN BY: DW SCALE: NTS	
INFORMATION SHEET: FORM 157	MARKING: SEE BELOW	DATE: 6/3/2008 SIZE: B	
			DWG NO: Y0703-S-4
			SHEET: 1 OF 1



CATALOG NUMBER	"A"	"D"	"E"	"F"	"G"	TANG MARKING
CLNB-1/0-10-4	2.040	0.219	0.738	1.756	0.148	UL, ILSCO, CSA, CLNB-1/0-10-4, 10, 1/0 AWG, 1 FLEX, DIE 42
CLNB-1/0-14-4	2.353	0.281	0.738	1.756	0.180	UL, ILSCO, CSA, CLNB-1/0-14-4, 1/4, 1/0 AWG, 1 FLEX, DIE 42
CLNB-1/0-12-4	2.728	0.562	0.738	1.756	0.265	ILSCO, C-1/0-12-4, 1/0 AWG, 1 FLEX, DIE 42, UL, CSA
CLNB-1/0-34-4	3.165	0.781	0.969	1.756	0.359	UL, ILSCO, CSA, CLNB-1/0-34-4, 3/4, 1/0 AWG, 1 FLEX, DIE 42
CLNB-1/0-38-4	2.353	0.406	0.738	1.756	0.211	UL, ILSCO, CSA, CLNB-1/0-38-4, 1/0 AWG, 1 FLEX, DIE 42
CLNB-1/0-516-4	2.353	0.343	0.738	1.756	0.180	UL, ILSCO, CSA, CLNB-1/0-516-4, 5/16, 1/0 AWG, 1 FLEX, DIE 42